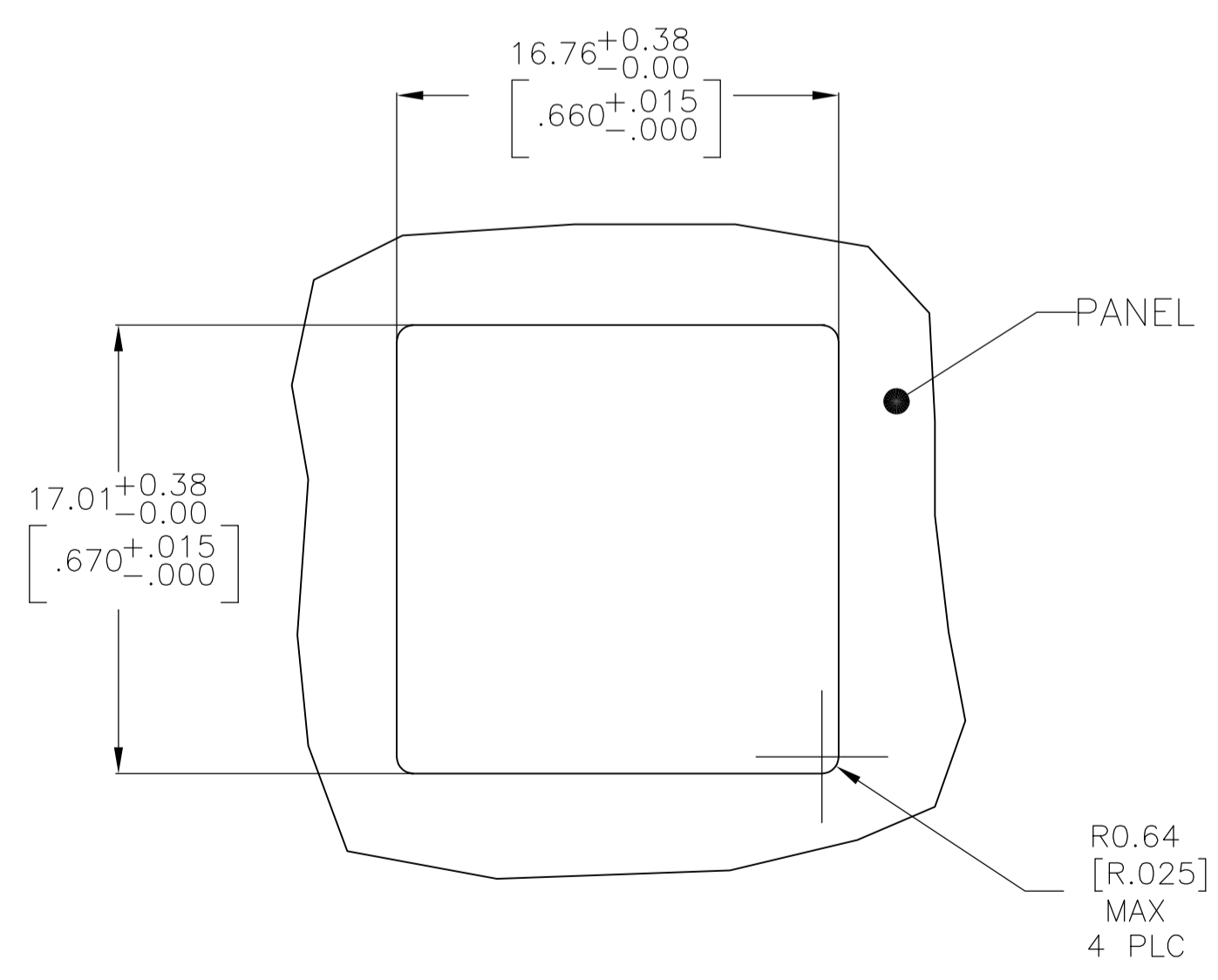
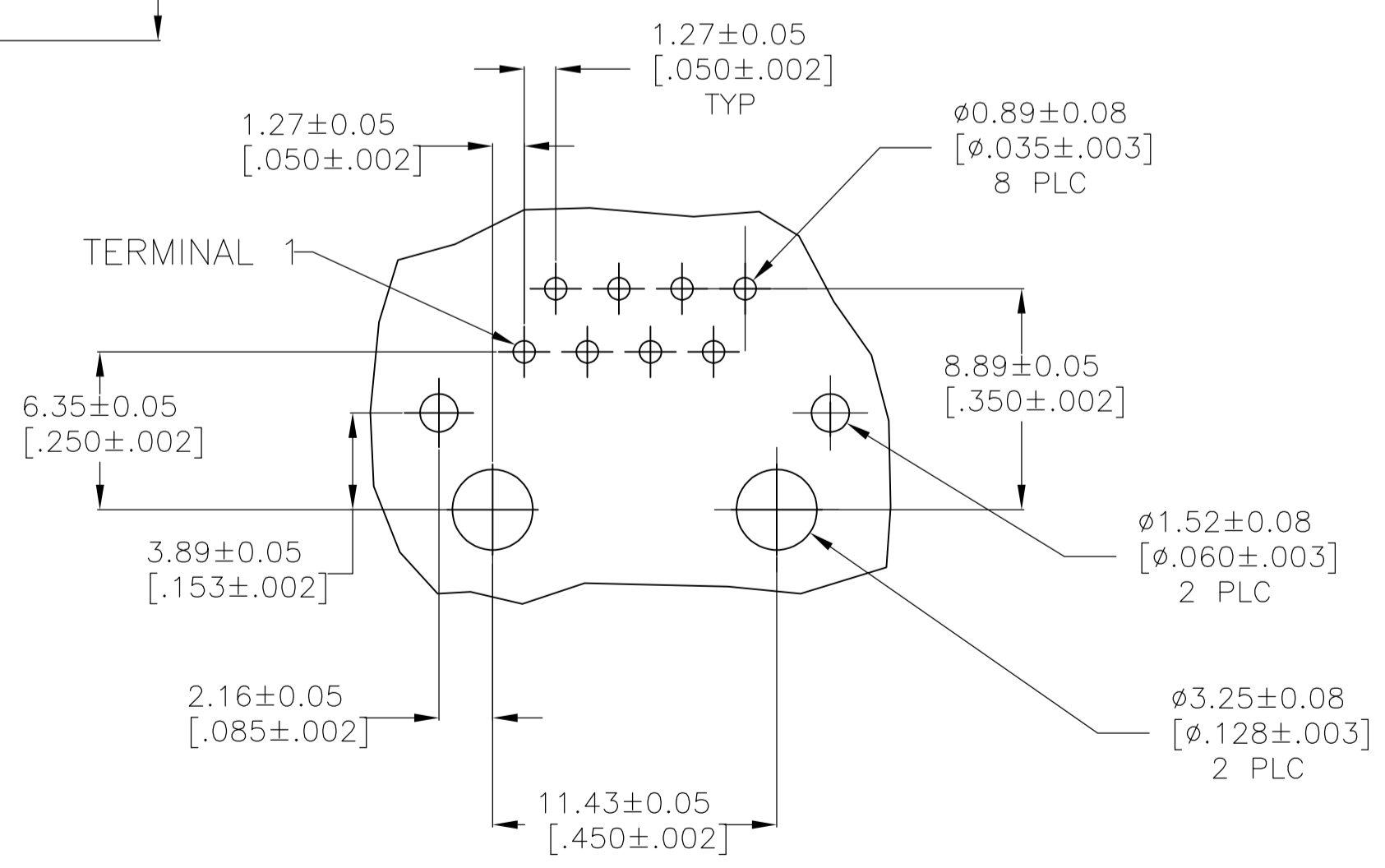
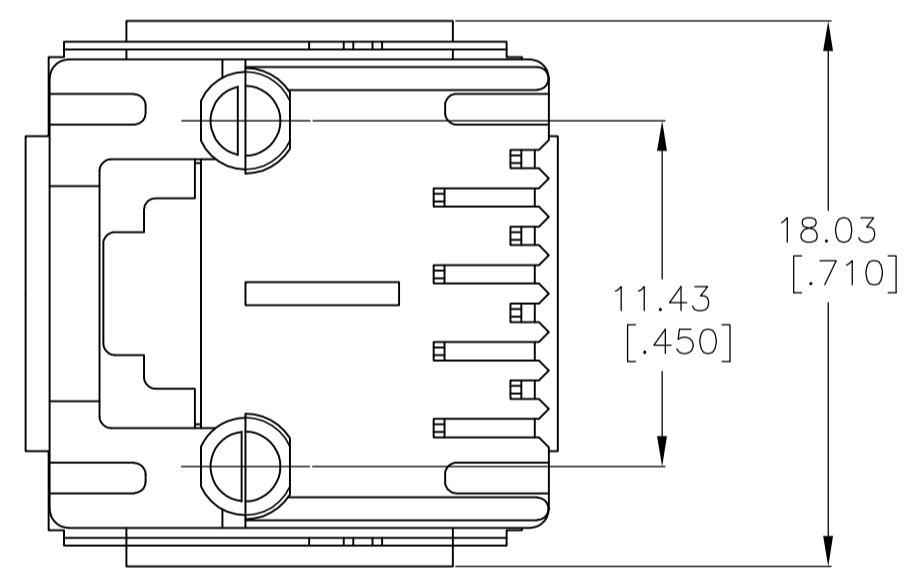
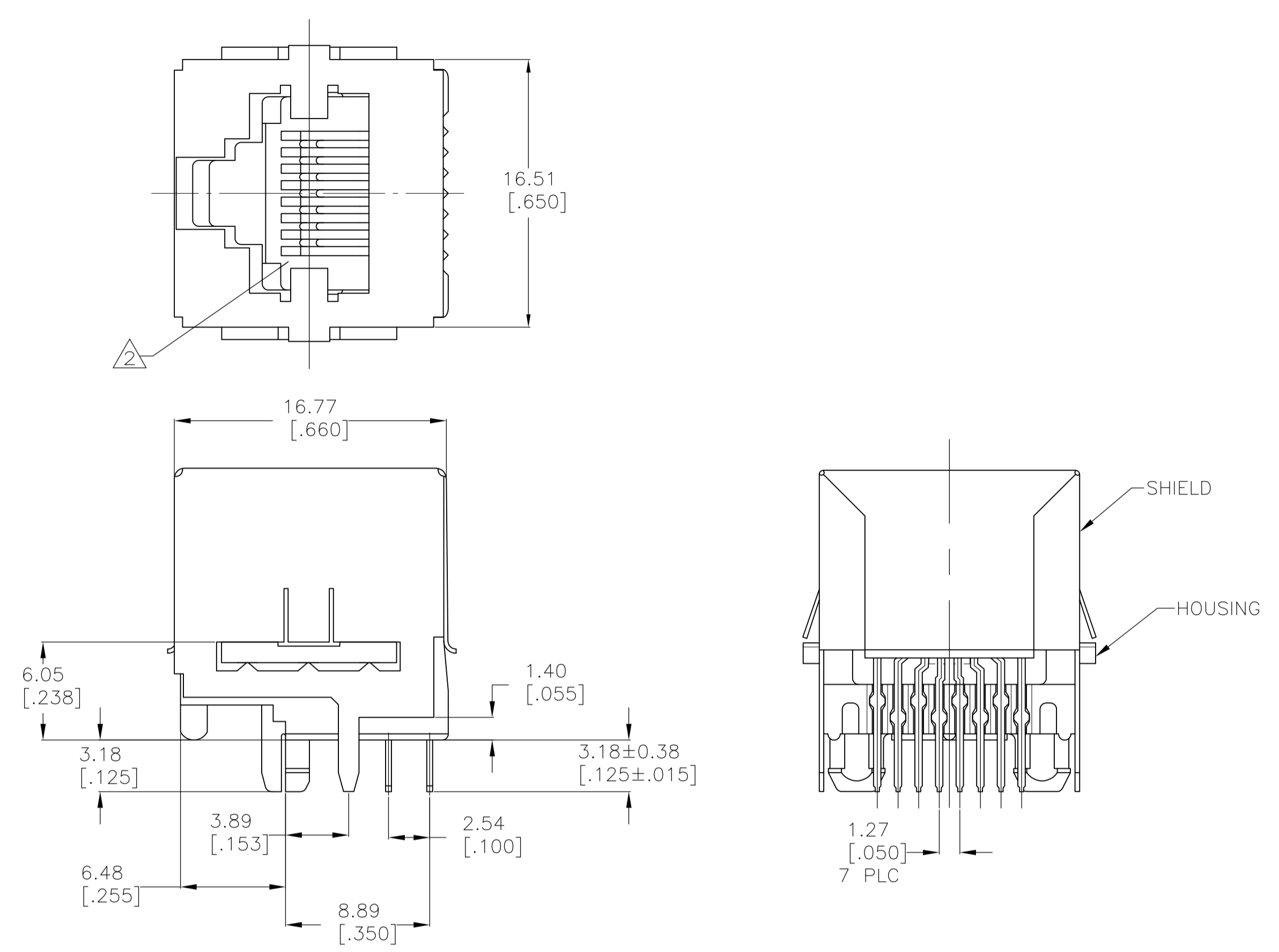


LOC		DIST		REVISIONS			
P	LTR	DESCRIPTION	DATE	DN	APVD		
D		ECO-08-000842	00JAN08	LAM	PR		

- MATERIAL:
 HOUSING - POLYESTER MOLDING COMPOUND, UL 94-V0, COLOR: BLACK
 TERMINALS - 0.35[.0138] THICK PHOS BRONZE PLATED WITH 1.27 μ m[.000050] MIN THICK GOLD IN LOCALIZED AREA AND 3.81 μ m[.000150] MIN THICK MATTE TIN IN SOLDER AREA OVER 1.27 μ m[.000050] MIN THICK NICKEL UNDERPLATE
 SHIELD - COPPER ZINC ALLOY PLATED WITH 3.0 μ m[.000120] MIN THICK REFLOWED TIN.

2 CAVITY CONFORMS TO FCC RULES AND REGULATIONS PART 68 AND REA BULLETIN 345-81, PE-76 SPECIFICATION FOR MODULAR TELEPHONE HARDWARE.

- BULK PACKAGED IN A TRAY



5557484-1
 PART NO

THIS DRAWING IS A CONTROLLED DOCUMENT.		DIN G. ATTADIA - 10JUN2005 CIRK DOCKES 10JUN2005		Tyco Electronics Corporation Harrisburg, PA 17105-3608	
DIMENSIONS: mm [INCHES]		TOLERANCES UNLESS OTHERWISE SPECIFIED:		APVD S. FLICKINGER 10JUN2005 NAME MODULAR JACK ASSEMBLY, TOP ENTRY, 8 POSITION, FLANGELESS, SHIELDED, WITH PANEL STOPS, PANEL & PCB GROUNDS	
0 PLC ± -		1 PLC ± -		PRODUCT SPEC 108-1163	
2 PLC ± -		3 PLC ± 0.13[.005]		APPLICATION SPEC 114-2048	
4 PLC ± -		ANGLES ± -		SIZE CAGE CODE DRAWING NO RESTRICTED TO	
MATERIAL SEE NOTE 1		FINISH SEE NOTE 1		WEIGHT -	
				A1 00779 5557484	
				CUSTOMER DRAWING SCALE 4:1 SHEET 1 OF 1 REV D	